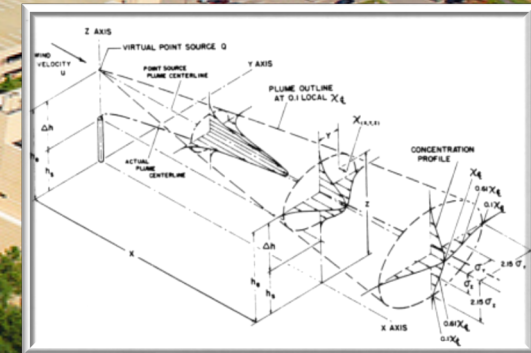
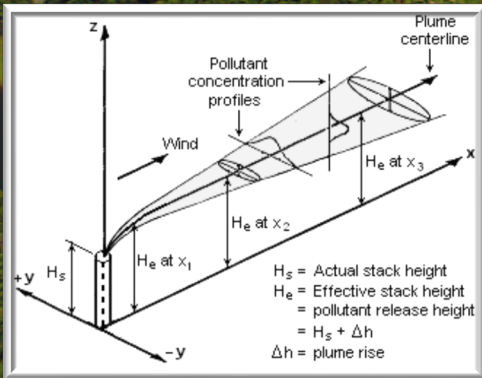
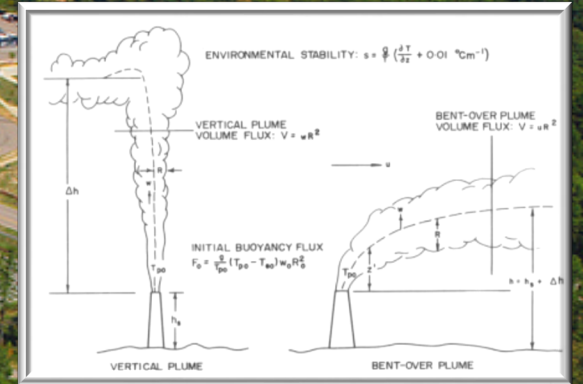
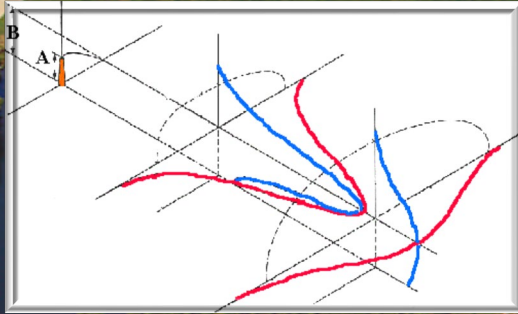


# 12<sup>th</sup> Conference on Air Quality Modeling



EPA RTP, NC Campus – October 2-3, 2019

# 12<sup>th</sup> Conference on Air Quality Modeling

- Welcome... Call to order... and **Thank you!**
- The 12<sup>th</sup> Modeling Conference is a Public Hearing
  - Per Section 320 of the Clean Air Act, the EPA is to conduct triennial air quality modeling conferences

“Not later than six months after August 7, 1977, and at least every three years thereafter, the Administrator shall conduct a conference on air quality modeling. In conducting such conference, special attention shall be given to appropriate modeling necessary for carrying out part C of subchapter I (relating to prevention of significant deterioration of air quality)”
  - The focuses of the 12<sup>th</sup> Modeling Conference are to provide an overview of the latest features of the currently preferred air quality models and to provide a forum for public review and comment on potential revisions to the way the Agency determines and applies the appropriate air quality models in the future.
  - The Conference proceedings must be transcribed and placed in a Docket (ID: [EPA-HQ-OAR-2019-0454](#)).
  - All presentations given over the next 2 days are also officially part of the record and will be submitted to the Docket at the conclusion of the proceedings.
  - Since this Docket is not apart of a proposed or final rule, the EPA will not produce a Response to Comments document.

# 12<sup>th</sup> Conference on Air Quality Modeling

- **Public Hearing Officer**

- George Bridgers, Model Clearinghouse Director and Environmental Scientist in EPA's OAQPS

- **Facilities Logistics**

- Please be aware of security protocols

- You will need an escort if traveling to any of the upper floors of the C Building or other building on the EPA RTP Campus.
- If you exit the building, you will have to go back through the security screening process for re-entry.

- Bathrooms

- Both men and women's restrooms are across the main foyer on the left, immediately before the bank of elevators.

- Snacks and Lunch

- The cafeteria across the foyer offers a selection of drinks and snacks during the morning and afternoons and a full lunch selection during the midday span.
- We have scheduled an hour and fifteen minutes for lunch to hopefully allow everyone enough time to make it through the lunch line and have time to enjoy your meal.

# 12<sup>th</sup> Conference on Air Quality Modeling

- Facilities Logistics (*continued*)

- In case of an **emergency!!!**

- I will make announcement suspending the Conference and Public Hearing and provide instruction.
- Please follow me and proceed in a calm and orderly fashion back up the main staircase from which you entered the foyer/auditorium.
- Walk to the small visitors parking lot immediately to your right upon exiting the building to Assembly Area #8.
- No one shall re-enter the building until the all clear is given and communicated via relay through me.

- If there are any other concerns or questions about our facilities and campus, please do not hesitate to ask me during a break, slide a note to me during a session, or send me an email at

[Bridgers.George@epa.gov](mailto:Bridgers.George@epa.gov).

# 12<sup>th</sup> Conference on Air Quality Modeling

- Recognitions:

- EPA OAQPS-Air Quality Modeling Group Staff

Kirk Baker

George Bridgers

Roger Brode

Tyler Fox

Chris Misenis

Chris Owen

Clint Tillerson

James Thurman

- EPA Regional Office Staff

Leiran Biton (R1)

Rick Gillam (R4)

Jay McAlpine (R10)

Mike Moeller (R4)

Ashley Mohr (R6)

Erik Snyder (R6)

- EPA ORD Staff

David Heist

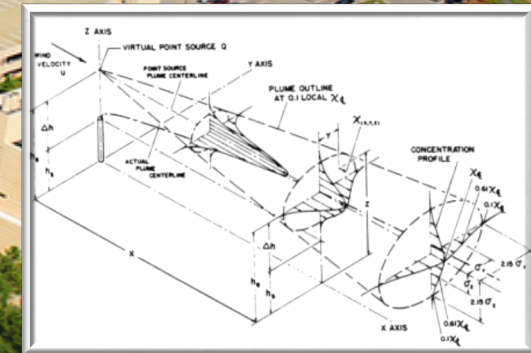
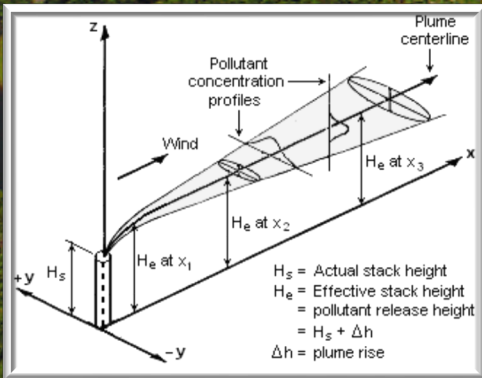
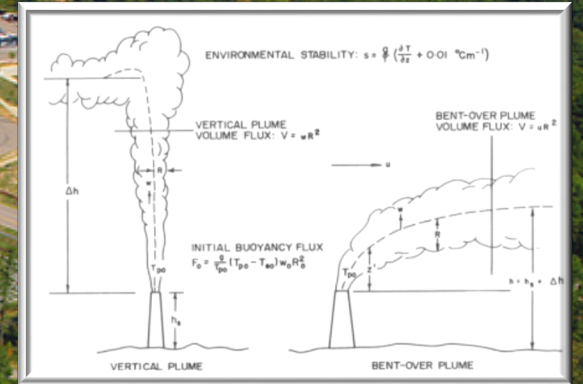
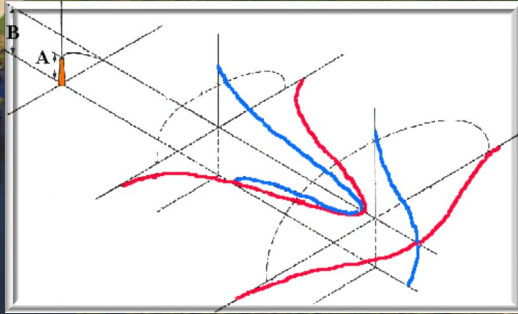
Steve Perry

- Federal Partner Agencies

Bret Anderson (USDA-FS)

Holli Ensz (BOEM)

# 12<sup>th</sup> Conference on Air Quality Modeling



EPA RTP, NC Campus – October 2-3, 2019

# 12<sup>th</sup> Conference on Air Quality Modeling

Morning Break  
10:30 – 10:45 AM

EPA RTP, NC Campus – October 2-3, 2019



# 12<sup>th</sup> Conference on Air Quality Modeling

Lunch

11:45a – 1:00 PM

EPA RTP, NC Campus – October 2-3, 2019





# 12<sup>th</sup> Conference on Air Quality Modeling

Panel Transition  
2:15p – 2:20 PM

EPA RTP, NC Campus – October 2-3, 2019



# 12<sup>th</sup> Conference on Air Quality Modeling

Afternoon Break  
3:50p – 4:05 PM

EPA RTP, NC Campus – October 2-3, 2019



# 12<sup>th</sup> Conference on Air Quality Modeling

**Adjourned for Day**  
**Please Return by 8:30 AM**  
**Tomorrow**

EPA RTP, NC Campus – October 2-3, 2019

