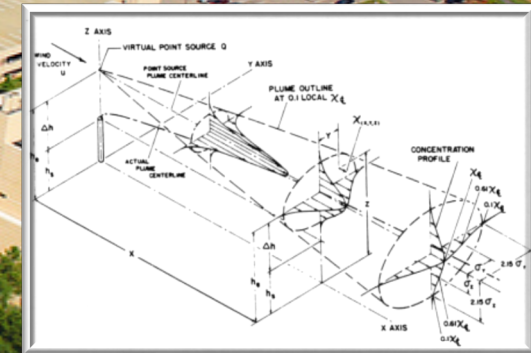
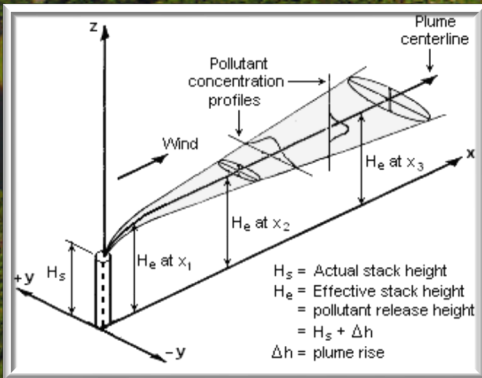
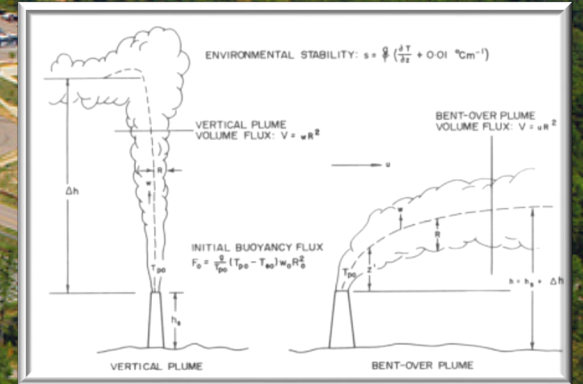
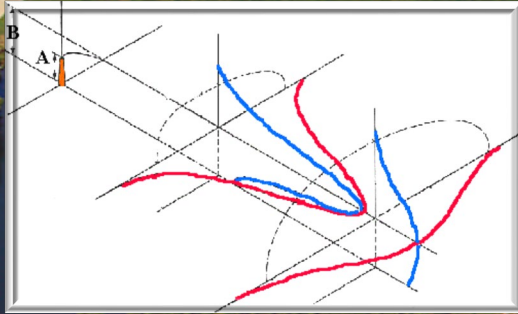


12th Conference on Air Quality Modeling



EPA RTP, NC Campus – October 2-3, 2019

12th Conference on Air Quality Modeling

Morning Break
10:00 – 10:15 AM

EPA RTP, NC Campus – October 2-3, 2019



12th Conference on Air Quality Modeling

Anne Idsal

**Acting Assistant Administrator
Office of Air and Radiation
US EPA, Washington, DC**

EPA RTP, NC Campus – October 2-3, 2019



12th Conference on Air Quality Modeling

Lunch

11:45a – 1:00 PM

EPA RTP, NC Campus – October 2-3, 2019



12th Conference on Air Quality Modeling

Public Hearing
Public Presentations

EPA RTP, NC Campus – October 2-3, 2019



12th Conference on Air Quality Modeling

Afternoon Break
3:00p – 3:15 PM

EPA RTP, NC Campus – October 2-3, 2019



12th Conference on Air Quality Modeling

Public Hearing
Public Presentations

EPA RTP, NC Campus – October 2-3, 2019



12th Conference on Air Quality Modeling

End of Conference &
Public Hearing
Thanks for Your
Participation & Safe Travels

EPA RTP, NC Campus – October 2-3, 2019

